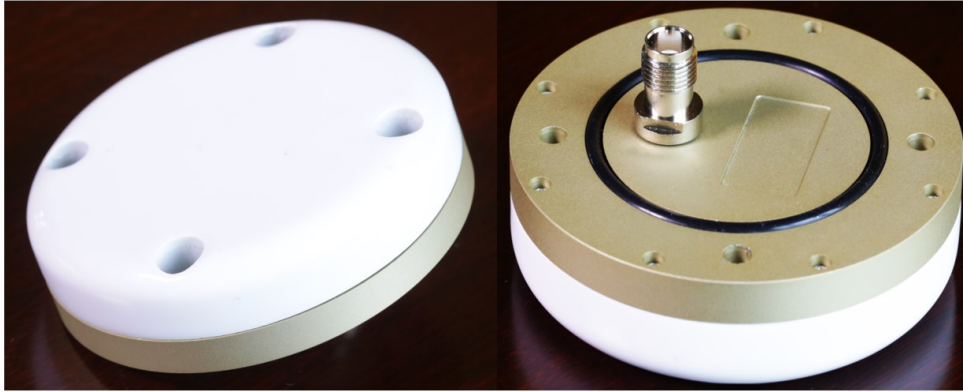


Triple Frequency Aviation Antenna Spec.



Product introduction

Product Name: Specifications for Tri-band Aerial Antenna

Product model: VLG-GAB-R38S3

Applicable frequency band: GPS L1, BDS B2, BD1S

Application: This antenna is a three-frequency antenna covering GPS L1, BD2 B2 and BD1 receivers. It is widely used in navigation scheduling, tracking monitoring, measurement and control fields. Specially suitable for high-speed moving systems and fields, such as aviation, etc.

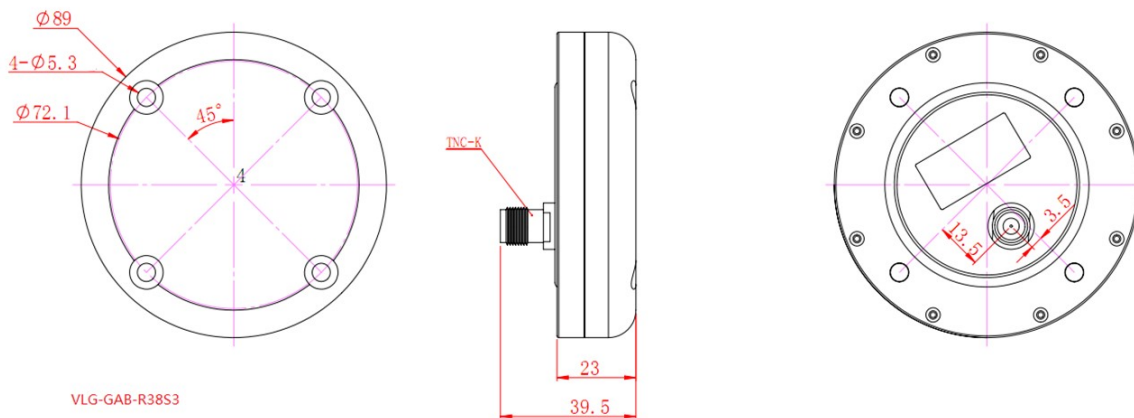
Product Description:

1. The antenna part adopts the laminated design to realize the combination of multi-system and multi-frequency points, and the size is small and the appearance is exquisite.
- 2, The antenna has high gain & wide pattern beamwidth, it has good effect on low elevation signal receiving , which ensure that in some more serious occlusion occasions can still receive the star normally
- 3, The low noise amplifier adopts the pre-high suppression filter scheme, which can effectively suppress the Beidou 1st generation transmission signal, avoid causing amplifier saturation, and improve the reliability of the system.

Parameters

Frequency Range(MHz)	GPS L1: 1565MHz~1585MHz
	BDS B2: 1204MHz~1210MHz
	BD1_R: 2487MHz~2497MHz
Polarization	Right-hand circular polarization
Gain (dBi)	Elevation90° ≥4
	Elevation20° ≥-2
Axial Ratio (dB)	Elevation90° ≤3
	Elevation20° ≤5
LNA Gain(dB)	35±2
V.S.W.R	<2.0
Noise Figure (dB)	<2.0
DC Voltage (V)	3.3~7
Current (mA)	<65
Impedance(Ω)	50
Dimension(mm)	Φ89×23
Connector	TNC-K
Weight (kg)	0.26
Relative Humidity	95%
Operating Temperature (°C)	-55~+85
Store Temperature (°C)	-55~+85

Antenna diagram



Installation: Antenna equipped with 4 through hold $\phi 5.3$, user can fix the antenna through these holes by screws.